

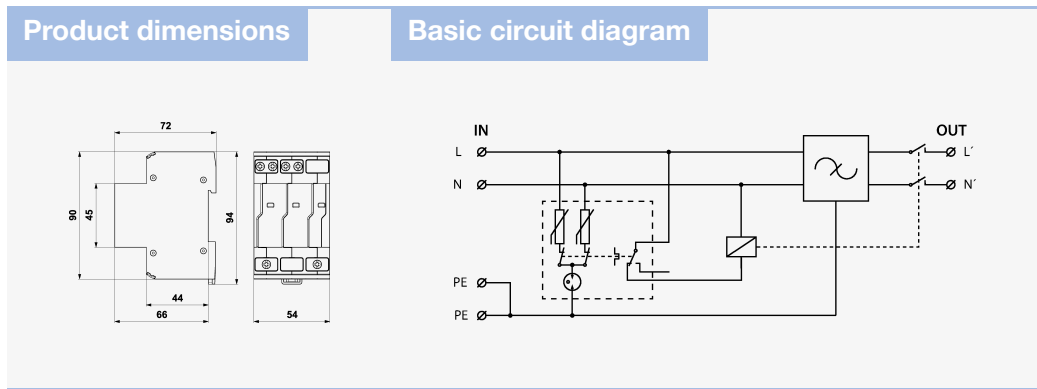
DA-275-DFi16

SPD - for low voltage / SPD type 3 / With RFI filter

Surge protection with RFI filter

fault signalling due to power supply interruption, visual fault signalling

- surge protection with integrated RFI filter
- installation to LV installations, close to protected equipment
- for protection of power lines of I&C, electronic security and fire detection systems, etc. against impact of surge voltage and RF disturbance
- protection priority



Parameter name	Parameter value
Type of SPD	T3
Mounting	DIN rail 35 mm
Nominal voltage	U_n 230.00 V AC
Maximum operating voltage	U_c 275.00 V AC
Nominal load current	I_L 16.000 A
Type of network	TN
Maximum overcurrent protection	16 A gL/gG or C 16 A
Short-circuit current rating	I_{SCCR} 6.0 kA
Filter attenuation at 1 MHz (50 Ω /50 Ω) unsymmetrical	30 dB
Nominal discharge current (8/20 μ s) L-N	I_n 3.00 kA
Nominal discharge current (8/20 μ s) L+N-PE	I_n 5.00 kA
Nominal discharge current (8/20 μ s) N-PE	I_n 3.00 kA
Test voltage L-N	U_{oc} 6.0 kV
Test voltage L+N-PE	U_{oc} 10.0 kV
Test voltage N-PE	U_{oc} 6.0 kV
Voltage protection level mode L-N	U_p 1.20 kV

Voltage protection level mode L-PE	U_p	1.50 kV
Voltage protection level mode N-PE	U_p	1.50 kV
Response time L-N	t_a	25 ns
Response time N-PE	t_a	100 ns
TOV 5 s L-N		335 V
TOV 5 s L-PE		440 V
TOV characteristic (TOV 5 s)		withstand
TOV 120 min L-N		440 V
TOV 120 min L-PE		335 V
TOV characteristic (120 min)		withstand
TOV 200 ms L-PE		1 200 V
TOV 200 ms N-PE		1 455 V
TOV characteristic (TOV 200 ms)		safe failure
Cross-section of connected conductors solid (max)		6.00 mm ²
Cross-section of connected conductors stranded (max)		6.00 mm ²
Cross-section of remote indication conductors solid (max)		1.5 mm ²
Cross-section of remote indication conductors stranded (max)		1.5 mm ²
Fault indication		red indication field, supply interruption
Degree of protection		IP 20
Range of ambient temperatures (min/max)		-40 / 80 °C
According to standard		EN 61643-11:2012, IEC 61643-11:2011
ETIM Class		EC000942
Customs tariff number		85363010
EAN		8595090557258
Order number		A05725