

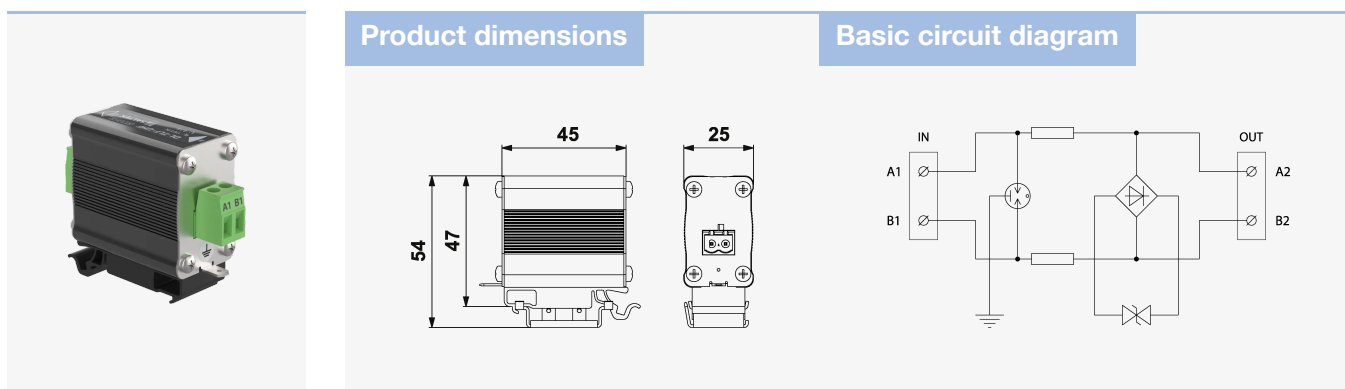
DL-TLF-UHF

SPD - for data, signalling and telecommunications lines / ICT / Telecommunications

Two-stage surge protection for analog telephone line and xDSL

surge protection for analog telephone line and xDSL

- two-stage surge protection of analog telephone line and xDSL
- installation at boundary LPZ 0 - 1 and higher
- connection of metallic pair via screw terminals
- working voltage up to 170 V DC



Parameter name	Parameter value
Type of SPD	D1,C2,C3
Location of SPD	ST 1+2+3
Mounting	DIN rail 35 mm
Maximum operating voltage	U_c 170.00 V DC
Serial resistance per core	R 10.00 Ω
Nominal load current	I_L 0.300 A
C2 nominal discharge current (8/20 μ s) core-core	I_n 5.00 kA
D1 total discharge current (10/350 μ s) cores-PE	I_{Total} 5.00 kA
C2 voltage protection level mode core-core (@ U_{oc}/I_n)	U_p 600,00 V (10 kV / 5 kA)
C2 voltage protection level mode core-PE (@ U_{oc}/I_n)	U_p 900,00 V (10 kV / 5 kA)
C3 voltage protection level mode core-core (@ $I_n - 1$ kV/ μ s)	U_p 250,00 V (10 A)
C3 voltage protection level mode core-PE (@ $I_n - 1$ kV/ μ s)	U_p 550,00 V (10 A)

Response time core-core	t_a	1 ns
Response time core-PE	t_a	100 ns
Threshold frequency core-core	f	150 MHz (@ -1 dB)
Insertion loss	A	<1 dB (@ 35 MHz)
Connection (input - output)		terminals-terminals
Degree of protection		IP 20
Range of ambient temperatures (min/max)		-40 / 70 °C
Humidity		5 - 95 %
According to standard		EN 61643-21+A1,A2:2013, IEC 61643-21+A1,A2:2012
ETIM Class		EC000943
Customs tariff number		85363010
EAN		8595090570844
Order number		A07084