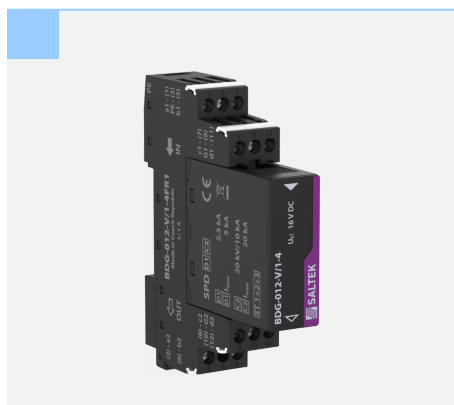


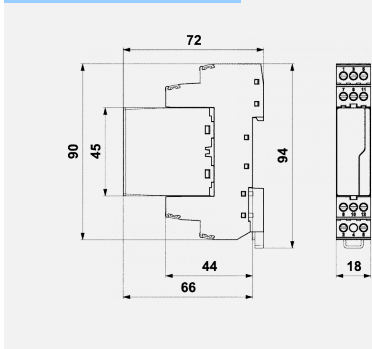
BDG-012-V/1-4FR1

pluggable module, coupling impedance (R - resistance), line separated from protective earth via GDT

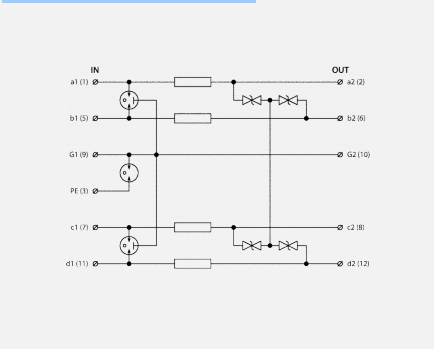
- lightning current arrester with coarse and fine surge protection for up to 4-core signalling lines
- installation at the boundary of LPZ 0 and LPZ 1 zones or higher, at the line entry into building and also installation close to protected device
- for protection of communication interfaces of I&C, MaR systems, electronic security and fire detection systems, etc. (mainly for RS-485 inter- faces) against impact of surge voltage
- coarse and fine surge protection (core - core) in differential mode and coarse surge protection in common mode (line - PE)



Dimension drawing



Basic circuit diagram



Parameter / Type		BDG-012-V/1-4FR1
Type of SPD		D1,C2
Location of SPD		ST 1+2+3
Mounting		DIN rail 35 mm
Nominal voltage	U_n	12 V DC
Nominal load current	I_L	1,000 A
Treshold frequency core-core	f	3,00 MHz
Serial resistance per core	R	0,80 Ω
D1 impulse discharge current (10/350 μ s) per core	I_{imp}	2,50 kA
D1 total discharge current (10/350 μ s) cores-PE	I_{Total}	5,00 kA
C2 nominal discharge current (8/20 μ s) GND-PE	I_n	10,00 kA
C2 nominal discharge current (8/20 μ s) per core	I_n	10,00 kA
C2 total discharge current (8/20 μ s) cores-PE	I_{Total}	20,00 kA
C3 nominal discharge current (10/1000 μ s) core-PE	I_{SM}	10 A
C3 nominal discharge current (10/1000 μ s) core-core	I_{SM}	10 A
C3 voltage protection level mode GND-PE at 1 kV/ μ s	U_p	550,00 V
C3 voltage protection level mode core-GND at 1 kV/ μ s	U_p	550,00 V
C3 voltage protection level mode core-core at 1 kV/ μ s	U_p	24 V
Response time core-core	t_a	1 ns
Response time core-GND	t_a	100 ns
Response time GND-PE	t_a	100 ns
Connection (input - output)		terminals-terminals
Cross-section of connected conductors solid (min)		0,14 mm ²
Cross-section of connected conductors solid (max)		4,00 mm ²

Cross-section of connected conductors stranded (min)	0,14 mm ²
Cross-section of connected conductors stranded (max)	2,50 mm ²
Degree of protection	IP 20
Range of ambient temperatures (min/max)	-40 / 70 °C
According to standard	EN 61643-21+A1,A2:2013, IEC 61643-21+A1,A2:2012
ETIM Class	EC001625
Plug module	BDG-012-V/1-4-0
Customs tariff number	85363010
EAN	8595090564751
Ordering number	A06475